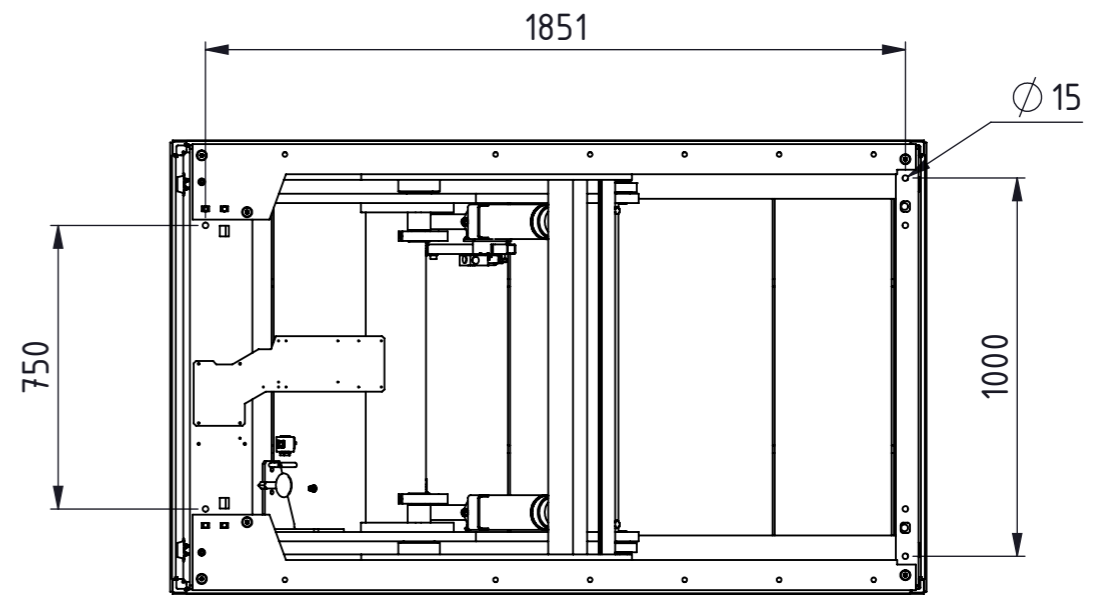
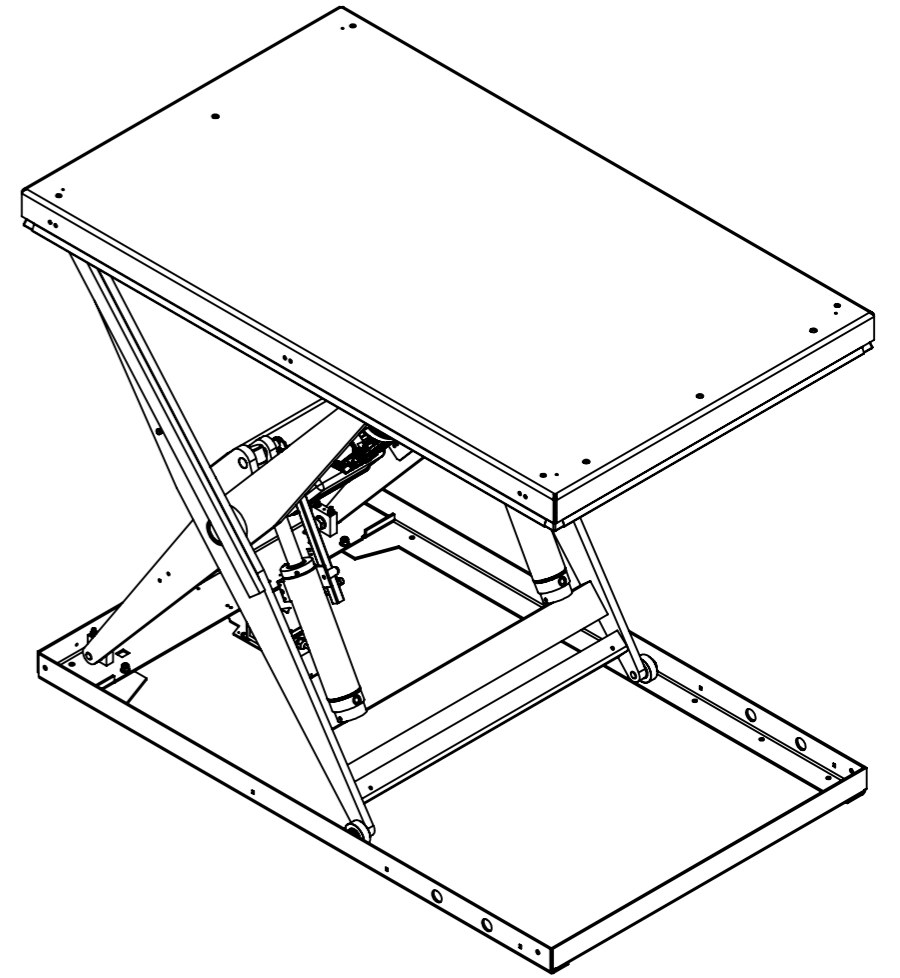
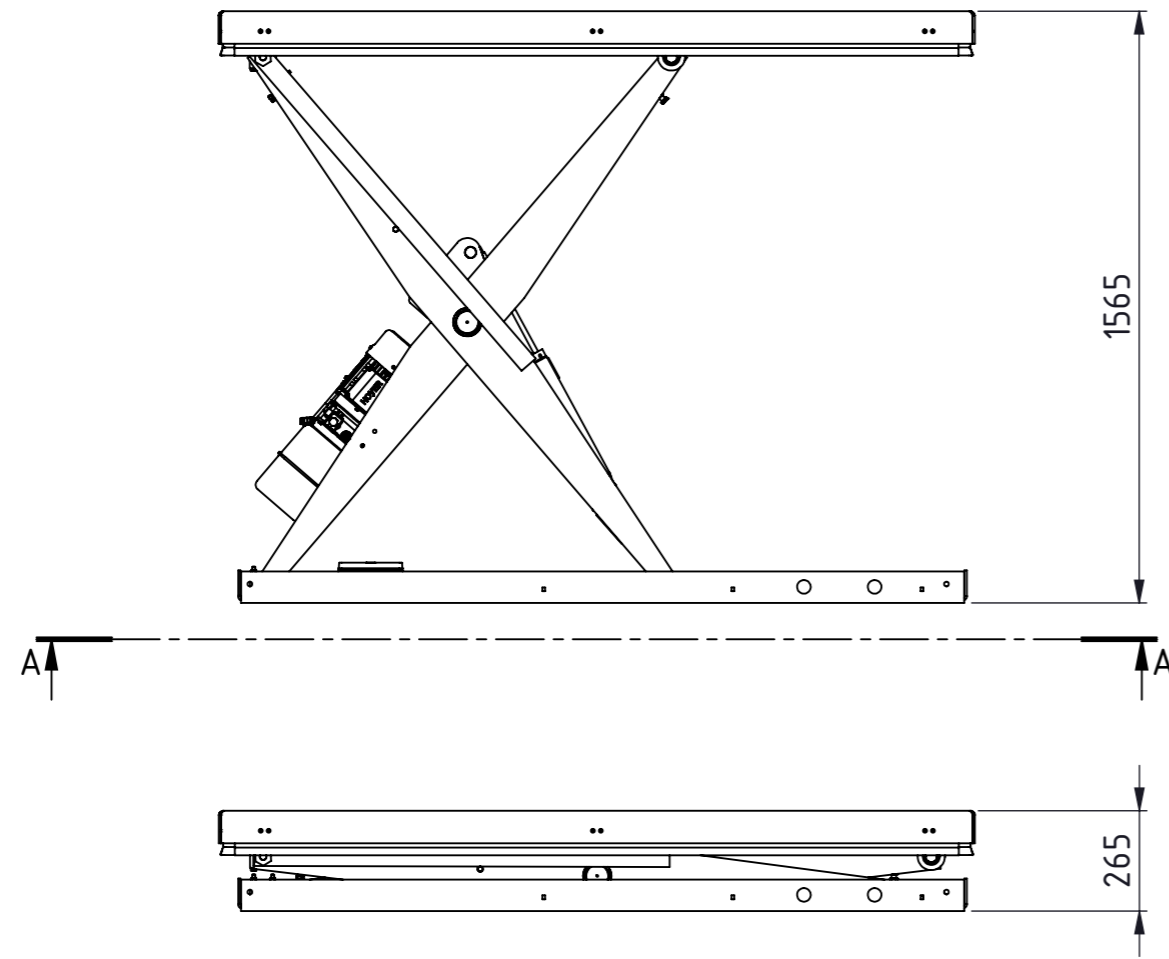
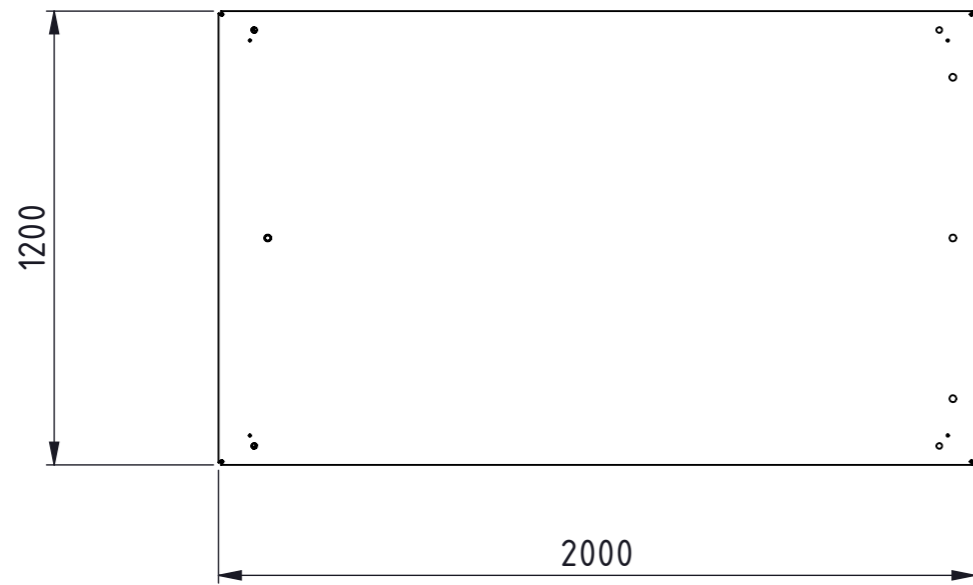


This document is our property and must not
 without our permission in writing be altered,
 copied, used for manufacturing or communicated
 to any other person or company.

No measuring allowed on this document.



A-A

ISO Method E Indicates Ra in μm Unless otherwise specified tolerances according to ISO 2768-mK (medium)	<h1>BX20-13/12</h1>		Date	2016-02-17	Total Weight (kg)	557.3
			Designer	MBY	Approved by	MBY
	Scale	1:20	Sheet	1 / 1		
	Control Specification No.		Art. No.	BX20-13/12		
	Drawing Type	-	Status	Approved	Drawing No.	BX20-13_12
					Revision	A