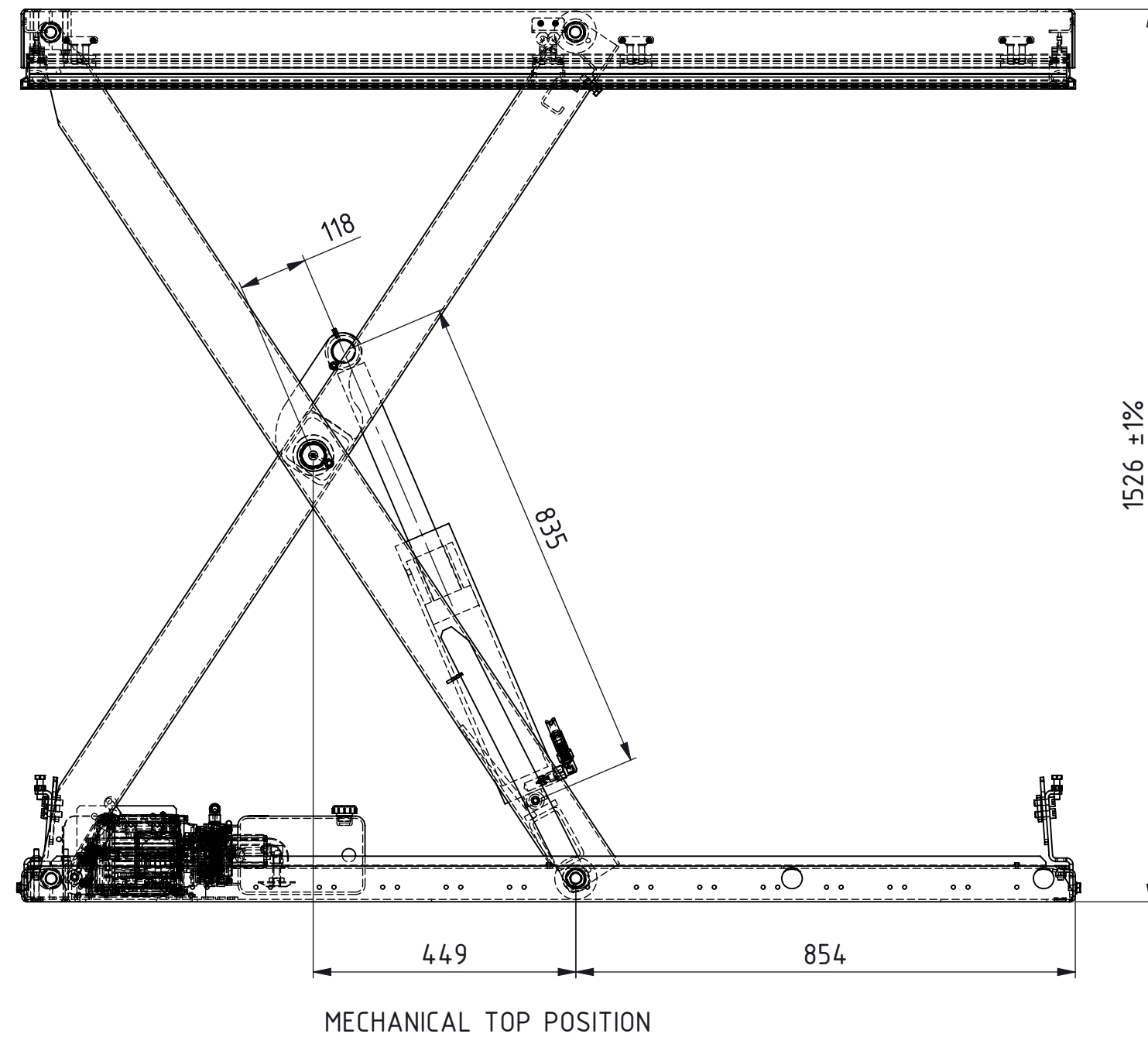


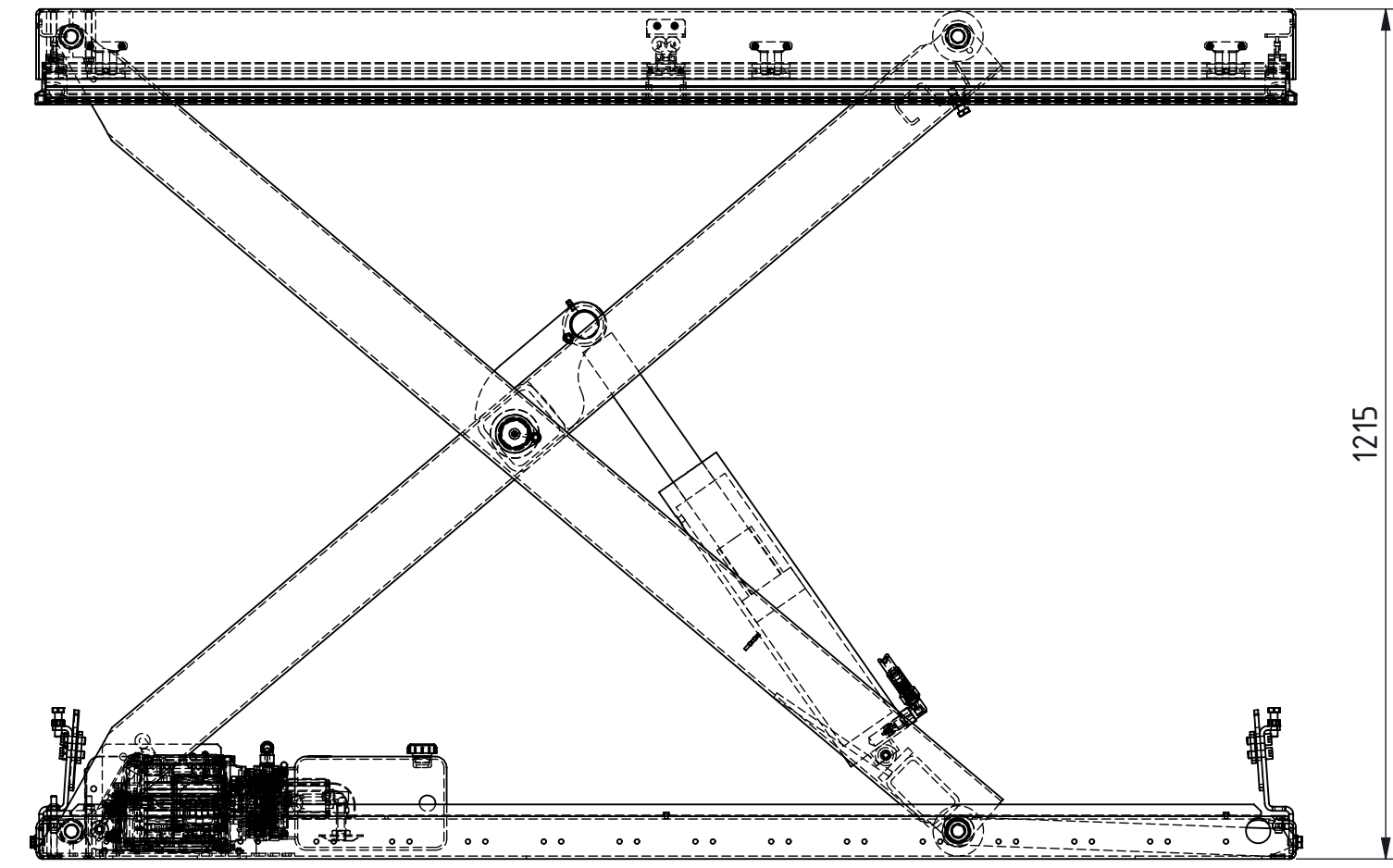
This document is our property and must not be copied, used for manufacturing or communicated to any other person or company.

1	1	860011-1	860011-1	LIFTING TABLE				227.3	
Item	Qty	Art No	Dwg No	Description	Material	Size/Dimension	Type	Kg/pcs	
				LIFTING TABLE M1-005125-D1 1800x800	Date: 2017-11-07		Total Weight (kg): 227.3		
					Designer: CJF	Approved by: CJF			
					Scale: 1:10	Sheet: 1 / 2			
					Control Specification No.	Art. No: 860002-1			
				Drawing Type: Assembling	Status: Approved	Drawing No: 860002-1		Revision: A	

No measuring allowed on this document.



MECHANICAL TOP POSITION



SERVICE POSITION

SPECIFICATION
 LIFTING CAPACITY: 500KG (UNIFORMLY DISTRIBUTED LOAD)
 MAX OIL PRESSURE LOWER POSITION: 92BAR (+-15%)
 MAX OIL PRESSURE UPPER POSITION: 40BAR (+-15%)
 LIFTING TIME: 28S (+-15%)
 LOWERING TIME: 28S (+25%, -15%)

This document is our property and must not be copied, used for manufacturing or communicated to any other person or company.

ISO Method E Unless otherwise specified tolerances according to ISO 2768-MK (medium)	LIFTING TABLE		Date	2017-11-07	Total Weight (kg)	227.3	
	M1-005125-D1 1800x800		Designer	CJF	Approved by	CJF	
		Scale	1:10	Sheet	2 / 2		
		Control Specification No.	Art. No.		860002-1		
Drawing Type	Assembling	Status	Approved	Drawing No.	860002-1	Revision	A